

97016

Towable Bleacher One Time Setup



Covers the following models:

BLST-FNT72

BLST-FNT107



595 E Lugbill Rd, Archbold Ohio 43502
Phone 877.447.2648 Fax 419.445.3304
info@graniteind.com www.graniteind.com

Initial Setup

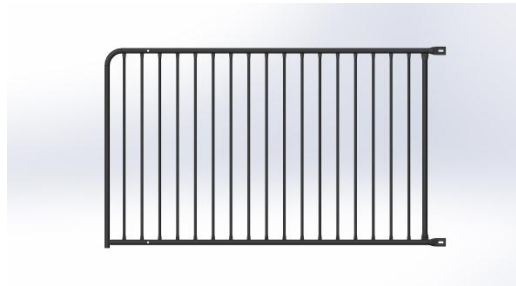
If your Fold – N – Tow Bleacher was shipped to you, you will need to complete the following steps before the bleacher is ready for use.

Step 1) Un-band and identify the following parts and quantities.



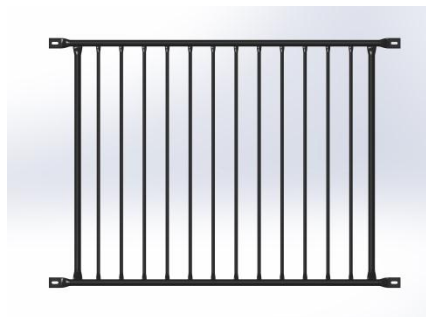
Rear Guard Post (P/N MI-02-1453)

BLST-FNT72 Uses 4 Pcs
BLST-FNT107 Uses 5 Pcs



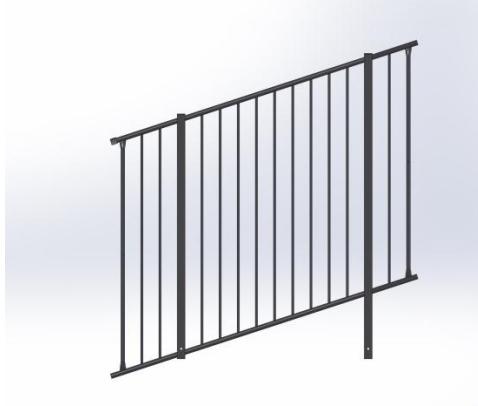
Rear Guard End Panel (P/N MI-12-3184)

BLST-FNT72 Uses 2 Pcs
BLST-FNT107 Uses 2 Pcs



Rear Guard Intermediate 6' Panel (P/N MI-12-3183)

BLST-FNT72 Uses 1 Pcs
BLST-FNT107 Uses 1 Pcs



Side Guard Panel Left (P/N MI-12-3425)

Side Guard Panel Right (P/N MI-12-3422)

BLST-FNT72 Uses 1 Pc of Each

BLST-FNT107 Uses 1 Pc of Each



Side Guard Panel Left Extension (P/N MI-12-3421)

Side Guard Panel Right Extension (P/N MI-12-3250)

BLST-FNT72 Uses 1 Pc of Each

BLST-FNT107 Uses 1 Pc of Each

Hardware

12 pcs - 1/2" x 3-1/2" Hex Bolt

4 pcs - 1/2" x 3-1/2" Hex Bolt

32 pcs - 1/2" Flat Washer

16 pcs - 1/2" Nylon Locknut

2 pcs - 1/2" x 3" Snap Pin

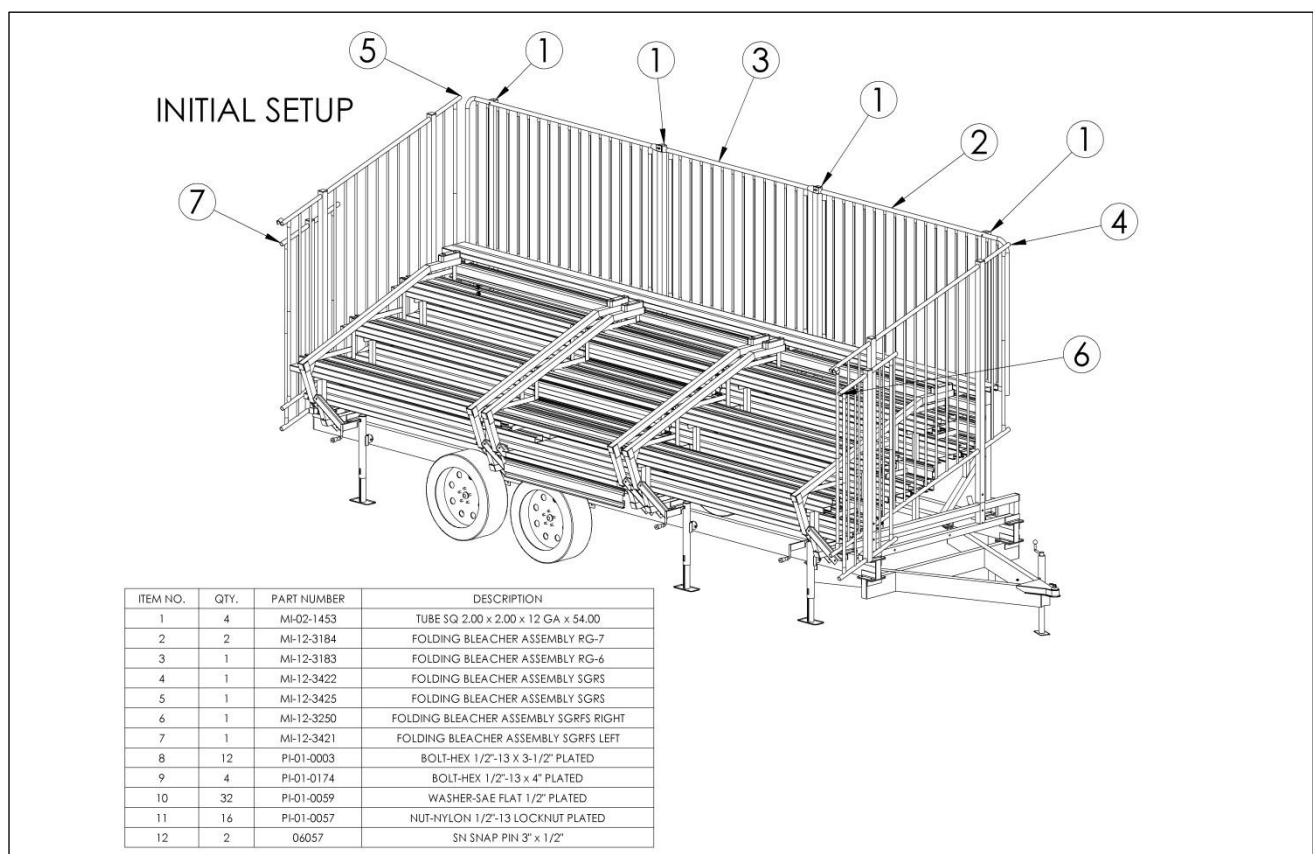


Figure 1.

Step 2) Install the rear guard posts using one 3-1/2" bolt, two washers and one locknut per post, the end with two holes is the bottom. Shown in Figure 1 (Item 1), the posts should be installed on the inserts at the rear of the bleacher. **Do not tighten nuts.**

Step 3) Install the rear guard intermediate panel using four 3-1/2" bolts, eight washers and four locknuts. Shown in Figure 1 (Item 3), the panel should be installed on the posts that were installed in step 2. **Do not tighten nuts.**

Step 4) Install the rear guard end panels using two 4" bolts, four washers and two locknuts per panel. Shown in Figure 1 (Item 2), these panels should be installed on the posts that were installed in step 2. **At this time tighten all nuts.**

Step 5) Install the side guard end panels using two 3-1/2" bolts, four washers and two locknuts per panel. Use Figure 1 (Item 4 & 5) to verify panel locations, the saddles on the top front corners should face out. Tighten all nuts.

Step 6) Install the side guard end panel extensions. Use Figure 1 (Item 6 & 7) to verify panel locations, the panel extensions will slide into the side guard panel base thru the open tube at the bottom. Finally pin these panels in their retracted position with the 1/2" x 3" snap pins.

Step 7) Do a final inspection of entire bleacher, verify that all hardware is tight and all snap pins are in place.