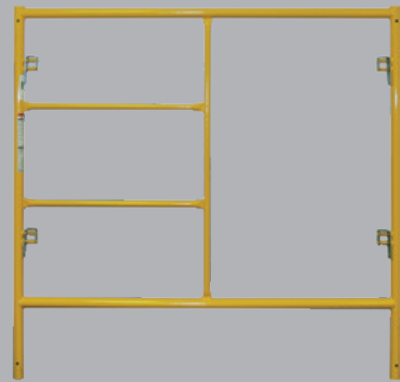


SCAFFOLDING

COMPONENTS, ACCESSORIES & UTILITY SCAFFOLD



SCAFFOLD FRAMES

INFO, TUBE SIZES & LOCK STYLES

Table of Contents

Scaffold Frames

Step Frames	3
Ladder Frames.....	4
Open End Frames	5
Other Frames	6
Wind Protection.....	6

Accessories

Inserts	7
Fastening Pins	7
Braces.....	8
Casters & Base Plates	9
Leveling Jacks	9
Walkboards.....	10-11
Guardrail	12-14
Putlogs	15
Brackets & Hangers.....	16-17

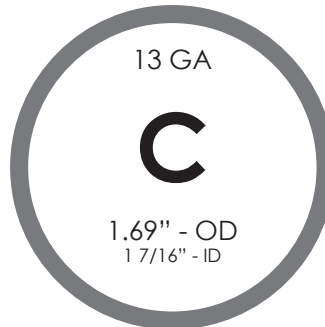
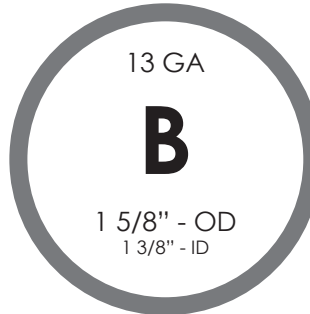
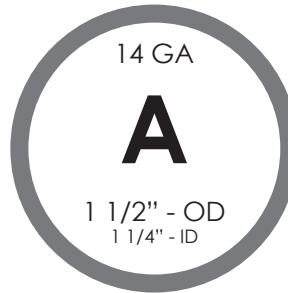
Stair Towers	18
Replacement Parts	19
System and Tube & Clamp	20
Shoring Posts	21
Trash Chutes.....	22
Drywall Carts & Lifts.....	23

Utility Scaffold

Snappy	24
Indy	25
Power Snappy	26-27
Other / Light Duty.....	28

Available Tube Sizes

GA - Gauge
OD - Outside Diameter
ID - Inside Diameter



Available Lock Styles



D Lock



H Lock



Q Lock



S Lock



W Lock

Built to last.

A complete line of step, ladder, and walk-through style frames to provide access and working platforms for all your commercial, industrial, and rental needs.

Manufactured of high strength structural steel tubing.

Powder Coated finish with high UV resistance.

Interchangeable & compatible with other major scaffold brands.

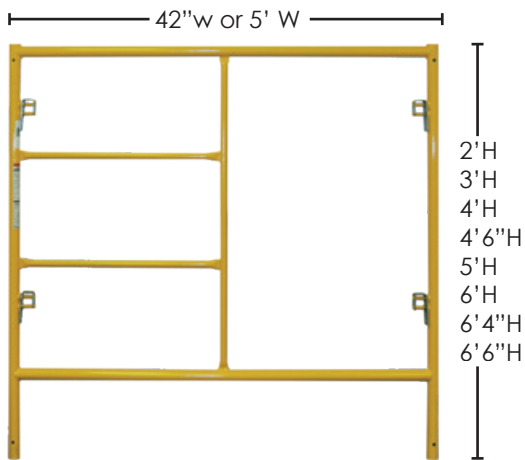
5 Year warranty against manufacturing defects. (Subject to discretion of the manufacturer.)

Meets or exceeds all OSHA & ANSI specifications.

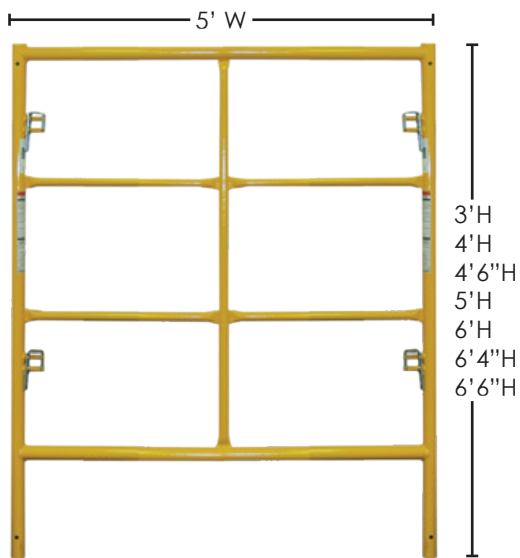
Orders and quote requests can be emailed to support@graniteind.com or faxed to 419-445-3304

SCAFFOLD FRAMES

STEP FRAMES



Step Frame



Double Step Frame

42" WIDE STEP FRAMES

42"W x 2'H	(*)-FS422-(•)	21 lbs
42"W x 3'H	(*)-FS423-(•)	23 lbs
42"W x 4'H	(*)-FS424-(•)	29 lbs
42"W x 4'6"H	(*)-FS4246-(•)	33 lbs
42"W x 5'H	(*)-FS425-(•)	35 lbs
42"W x 6'H	(*)-FS426-(•)	41 lbs
42"W x 6'4"H	(C)-FS4264-(•)	43 lbs
42"W x 6'6"H	(*)-FS4266-(•)	42 lbs

5' WIDE STEP FRAMES

5'W x 2'H	(*)-FS52-(•)	23 lbs
5'W x 3'H	(*)-FS53-(•)	25 lbs
5'W x 4'H	(*)-FS54-(•)	31 lbs
5'W x 4'6"H	(*)-FS546-(•)	35 lbs
5'W x 5'H	(*)-FS55-(•)	39 lbs
5'W x 6'H	(*)-FS56-(•)	43 lbs
5'W x 6'4"H	(C)-FS564-(•)	53 lbs
5'W x 6'6"H	(*)-FS566-(•)	52 lbs

5' WIDE DOUBLE STEP FRAMES

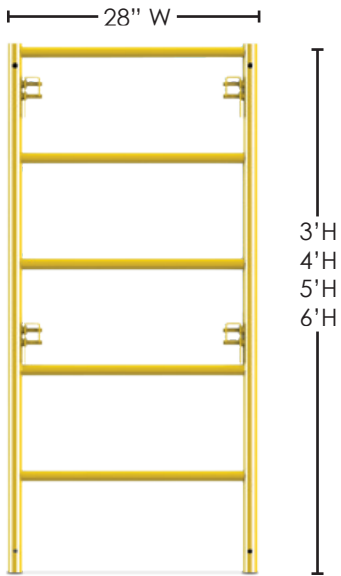
5'W x 3'H	(*)-FD53-(•)	27 lbs
5'W x 4'H	(*)-FD54-(•)	36 lbs
5'W x 4'6"H	(*)-FD546-(•)	38 lbs
5'W x 5'H	(*)-FD55-(•)	42 lbs
5'W x 6'H	(*)-FD56-(•)	51 lbs
5'W x 6'4"H	(C)-FD564-(•)	53 lbs
5'W x 6'6"H	(*)-FD566-(•)	52 lbs

(*) Please Specify Tube Size

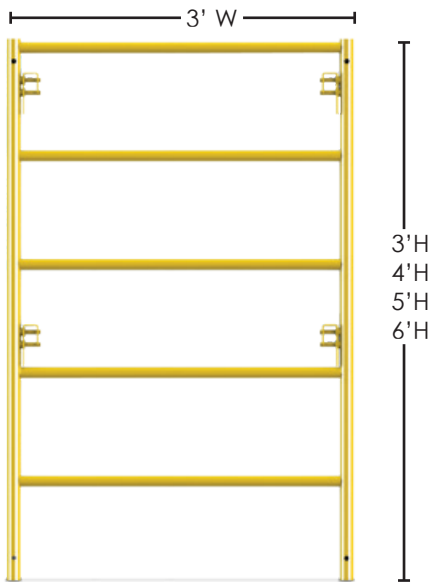
(•) Please Specify Lock Type

SCAFFOLD FRAMES

LADDER FRAMES



Ladder Frame



Ladder Frame

28" WIDE LADDER FRAMES

28"W x 3'H	(*)-FL283-(•)	16 lbs
28"W x 4'H	(*)-FL284-(•)	21 lbs
28"W x 5'H	(*)-FL285-(•)	26 lbs
28"W x 6'H	(*)-FL286-(•)	31 lbs

3' WIDE LADDER FRAMES

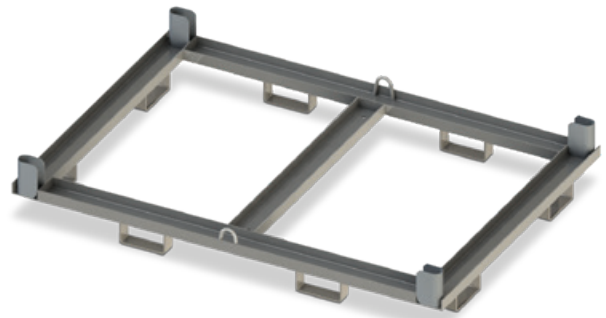
3'W x 3'H	(*)-FL33-(•)	19 lbs
3'W x 4'H	(*)-FL34-(•)	24 lbs
3'W x 5'H	(*)-FL35-(•)	30 lbs
3'W x 6'H	(*)-FL36-(•)	32 lbs

(*) Please Specify Tube Size

(•) Please Specify Lock Type

SCAFFOLD STORAGE RACK - 25 FRAME CAPACITY

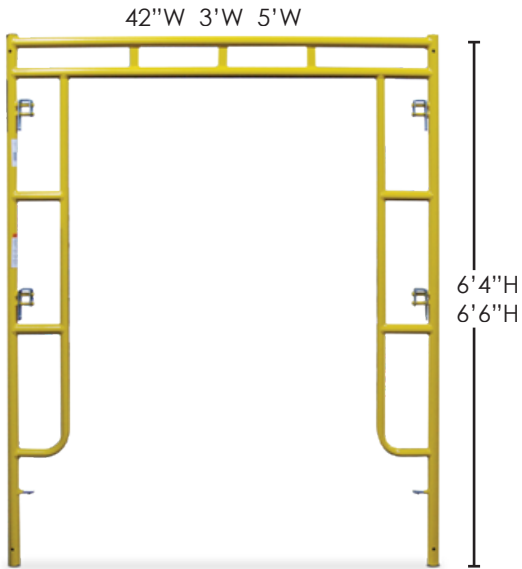
STANDARD	RACK-5	103 lbs
EXPANDED METAL	RACK-6EXP	128 lbs



Scaffold Storage Rack (Standard)

SCAFFOLD FRAMES

OPEN END FRAMES



Open End Frame

3' WIDE OPEN END FRAMES

3'W x 6'6"H	(*)-FO366(•)	40 lbs
3'W x 6'4"H	(C)-FO364(•)	41 lbs

42" WIDE OPEN END FRAMES

42"W x 6'6"H	(*)-FO4266(•)	51 lbs
42"W x 6'4"H	(C)-FO4264(•)	52 lbs

5' WIDE OPEN END FRAMES

5'W x 6'6"H	(*)-FO566(•)	53 lbs
5'W x 6'4"H	(C)-FO564(•)	54 lbs

OPEN LADDER FRAME

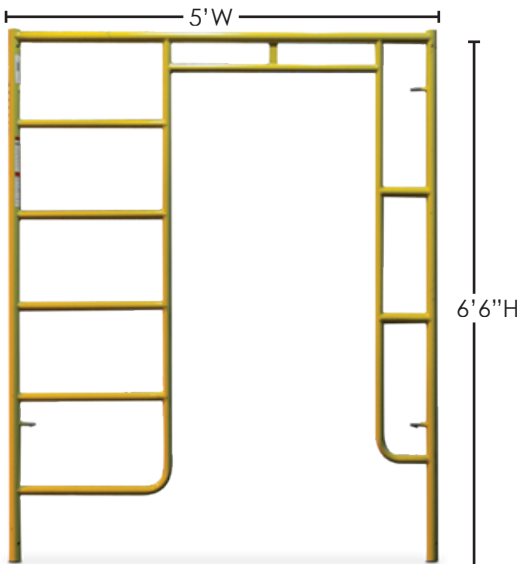
5'W x 6'6"H	(*)-FX566(•)	57 lbs
-------------	--------------	--------

SIDEWALK FRAME

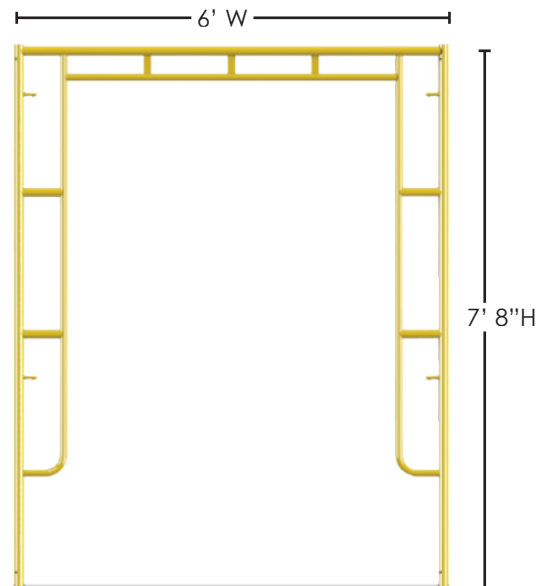
6'W x 7'8"H	(*)-FW678(•)	65 lbs
-------------	--------------	--------

(*) Please Specify Tube Size

(•) Please Specify Lock Type



Open Ladder Frame



Sidewalk Frame



Closed Corner



Open Corner

NOTE: Open End Frames with open corner and 1.69" tube are only available in the 6'4" frame height.

SCAFFOLD FRAMES

OTHER FRAMES / WIND PROTECTION



Knock Down Scaffold Frame

KNOCK DOWN SCAFFOLD FRAMES

3'	SIDE SET	(*)FKD3(•)	18 lbs
4'	SIDE SET	(*)FKD4(•)	24 lbs
5'	SIDE SET	(*)FKD5(•)	30 lbs
6'4"	SIDE SET	(*)FKD64(•)	41 lbs
6'6"	SIDE SET	(*)FKD66(•)	42 lbs
3'	WITH EXTENDERS	(*)FEX3	7 lbs
4'	WITH EXTENDERS	(*)FEX4	10 lbs
5'	WITH EXTENDERS	(*)FEX5	12 lbs



Pedestal Scaffold Frame Set

PEDESTAL SCAFFOLD FRAMES

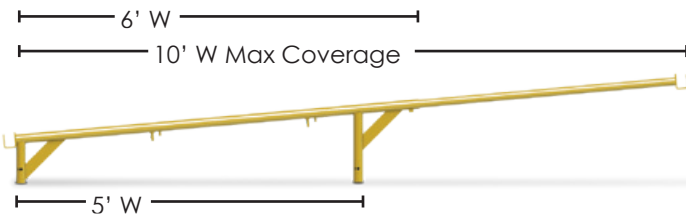
PEDESTAL FRAME SET	PF	40 lbs
Includes 2 legs and 1 frame Platform Height: 21" - 57"		
LEG ONLY	PFL	11 lbs
FRAME 45"W x 33-1/2"H	PFF	18 lbs

WIND PROTECTION

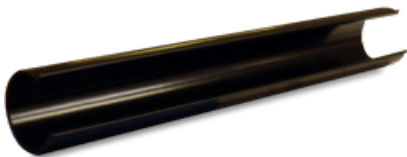
5' WIDE CANOPY TOP W/ 4' EXTENSION	(*)CT	21 lbs
WIND PROTECTION CLIP (100 PCS.)	(*)WPT	19 lbs

(*) Please Specify Tube Size

(•) Please Specify Lock Type



Canopy Top with 4' Extension



Wind Clip

SCAFFOLD ACCESSORIES

INSERTS & FASTENING PINS

9 INCH INSERTS



1" 1/2" 3/16"

7 INCH INSERTS



1/8" NO COLLAR

9" INSERTS / STACKING PINS

1" COLLAR	(*)IN	1 lb
1/2" COLLAR	B-IN	1 lb
3/16" COLLAR	B-INSC	1 lb

7" INSERTS / STACKING PINS

1/8" COLLAR	(**)INS	1 lb
No COLLAR	(B)INX	1 lb

FASTENING PINS - SOLD IN BAGS OF 50

SNAP PIN 2"	SN2-50	6 lbs
SNAP PIN 4"	SN4-50	10 lbs
HINGE PIN 2"	HP2-50	5 lbs
HINGE PIN 3"	HP3-50	7 lbs
RIVET & COTTER 2"	RC-50	4 lbs
PIG TAIL	PT-50	9 lbs
SPRING RIVET	SR-50	2 lbs
ROLL PIN 2"	RP-50	2 lbs

(*) Please Specify Tube Size

(**) Please Specify Tube Size, A or B only

FASTENING PINS



Snap Pin



Hinge Pin



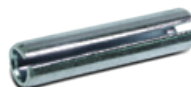
Rivet & Cotter



Pigtail Pin



Spring Rivet



Roll Pin

SCAFFOLD ACCESSORIES

BRACES



Notched (Used with W Lock)



Single Hole



Double Hole



Cross Brace



Straddle Brace



Wall Tie Brace (clamp included)



Cat-A-Corner Brace

CROSS BRACES

5' BRACE	B5(■)(◆)	10 lbs
7' BRACE	B7(■)(◆)	12 lbs
8' BRACE	B8(■)(◆)	13.6 lbs
10' BRACE	B10(■)(◆)	16.7 lbs

DOUBLE HOLE CROSS BRACES 36" & 48" LOCK SPACING

7' BRACE	B7H3648	13 lbs
10' BRACE	B10H3648	17 lbs

STRADDLE BRACES

7' STRADDLE BRACE	BS7H(◆)	15 lbs
8' STRADDLE BRACE	BS8H(◆)	16.5 lbs
10' STRADDLE BRACE	BS10H(◆)	19 lbs

Other sizes available - contact factory.

WALL TIE BRACES

36" WALL TIE BRACE	WT-36	11 lbs
48" WALL TIE BRACE	WT-48	15 lbs

CAT-A-CORNER BRACES

FOR 5'W x 7'L TOWER	(*)BC57	13 lbs
FOR 5'W x 8'L TOWER	(*)BC58	16 lbs
FOR 5'W x 10'L TOWER	(*)BC510	20 lbs

(■) Please Specify End Type:
H (Hole End) or N (Notched End)

(◆) Please Specify Brace Lock Spacing:
24", 27 3/4", 36", 42" or 48"

(*) Please Specify Tube

SCAFFOLD ACCESSORIES

CASTERS, BASE PLATES & LEVELING JACKS

CASTERS



Cast Iron Wheel with Rubber Tread



Plastic Wheel with Polyurethane Tread

CASTERS

8" CAST IRON WHEEL WITH RUBBER TREAD 500 lb. capacity	(*)-C8	14 lbs
8" PLASTIC WHEEL WITH POLYURETHENE TREAD 500 lb. capacity	(*)-CP8	9 lbs
10" CAST IRON WHEEL WITH RUBBER TREAD 700 lb. capacity	(*)-C10	17 lbs

BASE PLATES

RIGID 4" STEM	(*)-BPR	3 lbs
SWIVEL 4" STEM	(*)-BPS	4 lbs

BASE PLATES



Rigid 4" Stem



Swivel 4" Stem

LEVELING JACKS

RIGID	(*)-LJR	12 lbs
SWIVEL	(*)-LJS	12 lbs
EXTENSION	(*)-LJX	12 lbs
CLAMP	LJC	1 lb

(*) Please Specify Tube Size

LEVELING JACKS



Swivel



Rigid



Extension



Clamp

SCAFFOLD ACCESSORIES

WALKBOARDS



Aluminum Frame /
Laminated Plywood Deck
Blacktop Walkboard



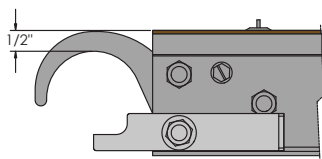
Aluminum Frame /
Plywood Deck
Workhorse Walkboard

ALUM / PLY BLACKTOP WORKHORSE WALKBOARD

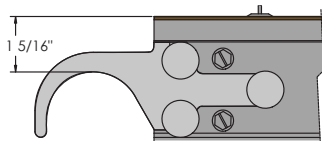
19"W x 7' L" (75PSF)	WBP1M19X7	33 lbs
19"W x 10' L" (75PSF)	WBP1DM19X10	46 lbs

ALUM / PLY WORKHORSE WALKBOARDS

19"W x 5' L" (75PSF)	WBP(◇)19X5	30 lbs
19"W x 7' L" (75PSF)	WBP(◇)19X7	33 lbs
19"W x 10' L" (50PSF)	WBP(◇)19X10	40 lbs
19"W x 10' L" (75PSF)	WBP(◇)D19X10	46 lbs
22"W x 7' L" (75PSF)	WBP(◇)22X7	36 lbs
22"W x 10' L" (50PSF)	WBP(◇)22X10	45 lbs
24"W x 7' L" (75PSF)	WBP(◇)24X7	38 lbs
24"W x 10' L" (50PSF)	WBP(◇)24X10	51 lbs
28"W x 7' L" (75PSF)	WBP(◇)28X7	40 lbs
28"W x 10' L" (50PSF)	WBP(◇)28X10	55 lbs
32"W x 7' L" (50PSF)	WBP(◇)32X7	48 lbs



Hook Type 1
(Most Popular)



Hook Type 2

HINGED ALUM / PLY WORKHORSE WALKBOARDS

(Not Pictured)

28"W X 7'L (75PSF)	WBP(◇) L28X7HL	76 lbs
28"W x 10'L (50PSF)	WBP(◇) L28X10HL	86 lbs

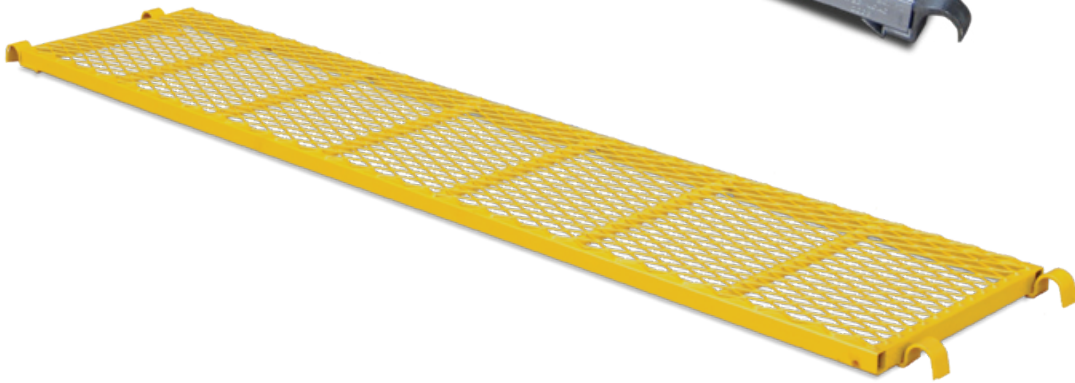
SCAFFOLD ACCESSORIES

WALKBOARDS

All Aluminum
Workhorse Walkboard



Steel Expanded Metal
Workhorse Walkboard



ALL ALUMINUM WORKHORSE WALKBOARDS

19"W x 7'L (75PSF)	WBA19X7	32 lbs
19"W x 10' L (50PSF)	WBA19X10	40 lbs

EXPANDED METAL STEEL WORKHORSE WALKBOARDS

19"W x 7'L (75 PSF)	WBX19X7	48 lbs
19"W x 8'L (75 PSF)	WBX19X8	51 lbs
24"W x 7'L (75 PSF)	WBX24X7	51 lbs
28"W x 7'L (75 PSF)	WBX28X7	56 lbs
28"W x 8'L (75 PSF)	WBX28X8	61 lbs
32"W x 7'L (75 PSF)	WBX32X7	63 lbs

HINGED EXPANDED STEEL METAL WORKHORSE WALKBOARDS

28"W x 7'L RIGHT (75 PSF)	WBX28X7HR	60 lbs
28"W x 7'L LEFT (75 PSF)	WBX28X7HL	60 lbs

(◇) Please Specify Hook Type

SCAFFOLD ACCESSORIES

GUARDRAIL



4 Lock Corner & Mid Post



3 Lock Corner & Mid Post

CORNER & MID POSTS

3 LOCKS	(*)GRP3(•••)	6 lbs
4 LOCKS	(*)GRP4(•••)	7 lbs
3 "D" LOCKS	(*)GRP3D	6 lbs
4 "D" LOCKS	(*)GRP4D	7 lbs

GUARDRAIL

GUARDRAIL 28"	(*)GR28	3 lbs
GUARDRAIL 3'	(*)GR3	3 lbs
GUARDRAIL 42"	(*)GR42	4 lbs
GUARDRAIL 5'	(*)GR5	5 lbs
GUARDRAIL 7'	GR7	6 lbs
GUARDRAIL 8'	GR8	7 lbs
GUARDRAIL 10'	GR10	8.5 lbs

SLAB GUARDRAIL

PARAPET CLAMP AND GUARDRAIL POST		
	SLBGPC	29 lbs



Guardrail

(*) Please Specify Tube Size

(••) Please Specify Lock Type, X or H only

Note: Size C posts (1.69" Diameter) are available with 90° OR 45° drilling to match frames.



Clamp



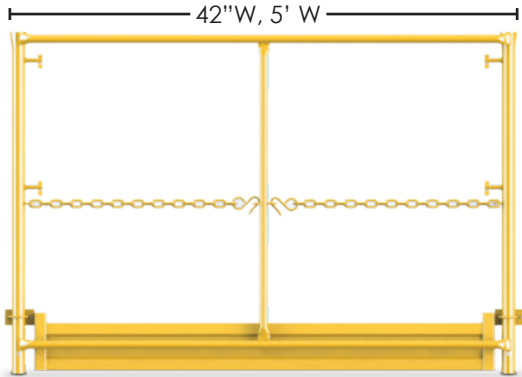
Clamp & GR Post



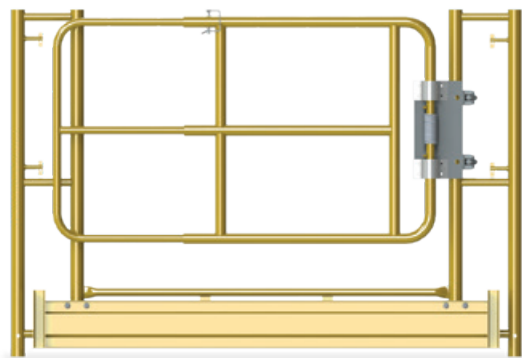
Clamp & Guardrail Post

SCAFFOLD ACCESSORIES

GUARDRAIL



5' End Panel with Toeboard



EZ Guard Rail Panel with Swing Gate



In-Line Mid Post Without Toeboard Clip

In-Line Mid Post With Toeboard Clip

END PANELS & GATES

5' END PANEL WITH TOEBOARD	(*)GRZ5E	34 lbs
42" END PANEL WITH TOEBOARD	(*)GRZ42E	32 lbs
5' EZ GRD. RAIL PANEL SWING GATE W/ TOEBOARD	(*)SGP	65 lbs

MID POSTS

IN-LINE MID POST WITHOUT TOEBOARD CLIP	(*)GZMH	5 lbs
IN-LINE MID POST WITH TOEBOARD CLIP	(*)GZMHTC	9 lbs

SIDE PANELS

7' SIDE PANEL	GRZ7S	12 lbs
8' SIDE PANEL	GRZ8S	14 lbs
10' SIDE PANEL	GRZ10S	17 lbs

TOEBOARDS

7' TOEBOARD	GRZTB7	13 lbs
8' TOEBOARD	GRZTB8	15 lbs
10' TOEBOARD	GRZTB10	19 lbs

(*) Please Specify Tube Size



Side Panel



Toeboard

SCAFFOLD ACCESSORIES

GUARDRAIL



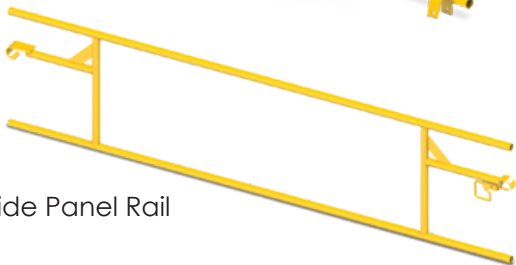
Open End Rail



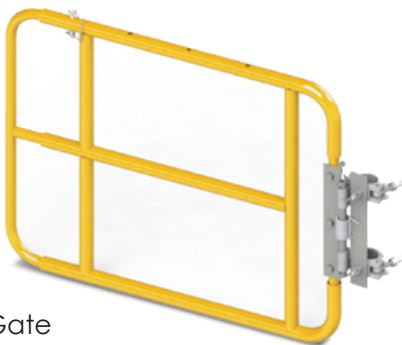
Open End Adj Rail



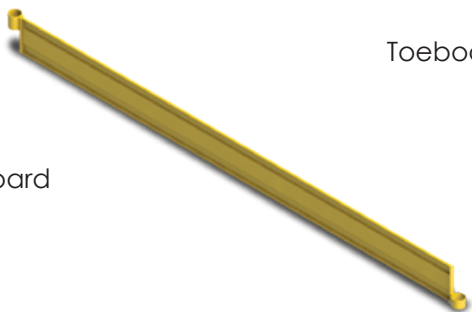
End Rail



7' Side Panel Rail



Swing Gate

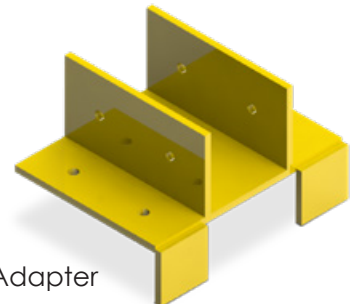


Toeboard

Toeboard Clip



Corner Adapter



END GUARDRAIL & GATES

42" OPEN END RAIL	GROEH42	7 lbs
5' OPEN END RAIL	GROEH	10 lbs
5' OPEN END ADJ. RAIL	GROEAJ	20 lbs
5' RAIL END	GROES	5 lbs
<i>For across open end frame w/ saddles</i>		
7' SIDE PANEL RAIL	GRISP7	21 lbs
SWING GATE-ADJ.	SGA	32 lbs
<i>From 36" to 54"</i>		

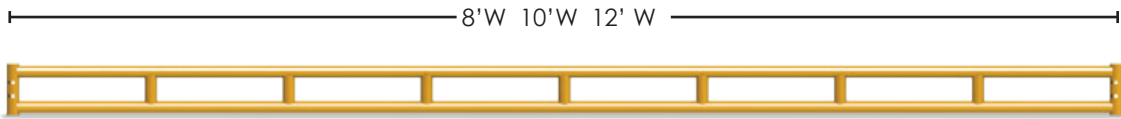
TOEBOARD

28" TOEBOARD	(*)TB28	5 lbs
3' TOEBOARD	(*)TB3	6 lbs
42" TOEBOARD	(*)TB42	7 lbs
5' TOEBOARD	(*)TB5	10 lbs
7' TOEBOARD	TB7	13 lbs
<i>Fits A, B or C frames</i>		
8' TOEBOARD	TB8	15 lbs
<i>Fits A, B or C frames</i>		
10' TOEBOARD	TB10	19 lbs
<i>Fits A, B or C frames</i>		
TOEBOARD CLIP	TBC	0.5 lbs
CORNER ADAPTER	TBCA	0.8 lbs

(*) Please Specify Tube Size

SCAFFOLD ACCESSORIES

PUTLOGS



Non-Trussed



Trussed



8' Support with Clamps



Offset Insert Saddle



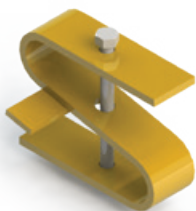
Insert Saddle



Angle Hanger



Rigid Parallel Tube Clamp



S Hanger

NON-TRUSSED PUTLOG

8'	(195 PLF / 1400 PSF) [†]	(*) PL8	25 lbs
10'	(130 PLF / 1300 PSF) [†]	(*) PL10	31 lbs
12'	(100 PLF / 1200 PSF) [†]	(*) PL12	43 lbs

TRUSSED PUTLOG

14'	(225 PLF / 3150 PSF) [†]	(*) PL 14T	48 lbs
16'	(170 PLF / 2720 PSF) [†]	(*) PL 16T	58 lbs
18'	(130 PLF / 2340 PSF) [†]	(*) PL 18T	68 lbs
20'	(125 PLF / 2500 PSF) [†]	(*) PL 20T	78 lbs
22'	(100 PLF / 2200 PSF) [†]	(*) PL 22T	90 lbs
24'	(85 PLF / 2040 PSF) [†]	(*) PL24T	110 lbs
26'	(70 PLF / 1820 PSF) [†]	(*) PL26T	110 lbs

ACCESSORIES

8' SUPPORT WITH CLAMPS	PLSP	21 lbs
OFFSET INSERT SADDLE	(*)PLOIS	3 lbs
INSERT SADDLE	(*)PLIS	3 lbs
ANGLE HANGER w/U-BOLT & NUT	PLAH	4 lbs
'U' BOLT FOR ANGLE HANGER	PLUB	1 lbs
RIGID PARALLEL TUBE CLAMP	RPTC	4 lbs
'S' HANGER	PLSH	5 lbs

(*) Please Specify Tube Size

(†) Requires the use of putlog supports at each end.

SCAFFOLD ACCESSORIES

BRACKETS & HANGERS



Adjustable Clamp On Side Bracket



Angle Hanger



Saddle Hanger



Adjustable Saddle Hanger

CLAMP ON SIDE BRACKETS - 500 lb Capacity

20"	(*)SB20CL	12 lbs
24"	(*)SB24CL	13 lbs
30"	(*)SB30CL	14 lbs
20"-30" Adjustable	(*)SB2030JCL	16 lbs
28"-42" Adjustable	(*)SB2842JCL	20 lbs

ANGLE HANGERS - 500 lb Capacity

20"	(*)SB20A	10 lbs
24"	(*)SB24A	11 lbs
30"	(*)SB30A	12 lbs

SADDLE HANGERS - 500 lb Capacity

12"	(*)SB12H	9 lbs
20"	(*)SB20H	10 lbs
24"	(*)SB24H	11 lbs
30"	(*)SB30H	12 lbs
20"-30" ADJ	(*)SB2030J	14 lbs

(*) Please Specify Tube Size

SCAFFOLD ACCESSORIES

BRACKETS & HANGERS



End/Side Hanger

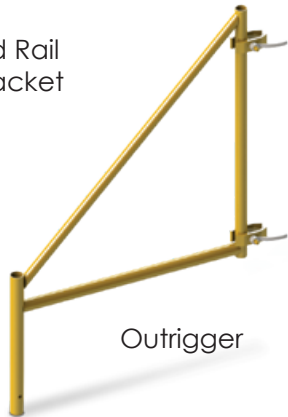
Side Bracket/Guard Rail Angle Hanger



End Guard Rail for Side Bracket



Hoist Arm



Outrigger



10" Steel Pulley

END/SIDE HANGERS - 500 lb Capacity

20"	(*)SB20E	12 lbs
24"	(*)SB24E	13 lbs
30"	(*)SB30E	14 lbs

ADDITIONAL BRACKETS

SIDE BRACKET/GUARD RAIL ANGLE HANGER	SBGR20C	19 lbs
END GUARD RAIL FOR SIDE BRACKET ADJ 20"-30"	SBGRD	20 lbs

OUTRIGGER

30" W OUTRIGGER	(*)OR	15 lbs
-----------------	-------	--------

ARMS & PULLEYS

HOIST ARM (100 lb CAP)	HA	30 lbs
STEEL PULLEY (1000 lb CAP)	HW	10 lbs
<i>10" Diameter (3/4" or smaller rope)</i>		

(*) Please Specify Tube Size

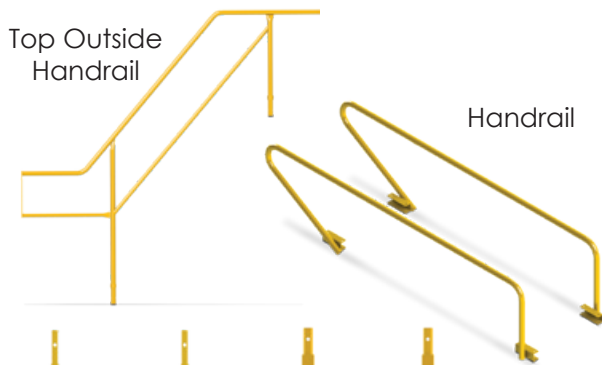
SCAFFOLD ACCESSORIES

STAIR TOWERS



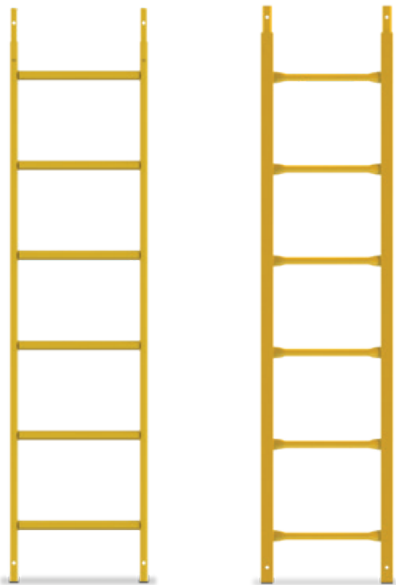
Stair Section

Access Ladder



Top Outside Handrail

Handrail



Tube Type Ladder

Channel Type Ladder



Tube Type Bracket

Channel Type Bracket

STAIR SECTION COMPONENTS

STARTER SUPPORT	(*)ASPR	8 lbs
24"W STAIR SECTION 6'4" TO 6'7"H	AS64-7X	81 lbs
24"W STAIR SECTION 5'H	AS5-7X	81 lbs

HANDRAIL FOR 5' STAIR

INSIDE HANDRAIL	ASIHR5-7X	15 lbs
OUTSIDE HANDRAIL	ASOHR5-7X	28 lbs

HANDRAIL FOR 6' STAIR

OUTSIDE HANDRAIL	ASOHR7X	30 lbs
TOP INSIDE HANDRAIL	ASIT64-7X	15 lbs
TOP OUTSIDE HANDRAIL	ASOT64-7X	25 lbs

ACCESS LADDER COMPONENTS

ACCESS LADDER 6' TO 6'6"H	AL6	38 lbs
HANDRAILS (PAIR)	ALHR	11 lbs

WALKBOARDS

WALKBOARD 28" x 7'L	SH1 28X7	44 lbs
HINGED WALKBOARD 28" x 7'L	SH1 28X7H	55 lbs

CLIMBING LADDESRS - TUBE TYPE

3'	TCL3	11 lbs
6'	TCL6	21 lbs
6' TOP	TCLT	19 lbs
BRACKET	TCLB	5 lbs

CLIMBING LADDERS - CHANNEL TYPE

3'	CL3	10 lbs
6'	CL6	21 lbs
6' TOP	CLT	16 lbs
BRACKET	CLB	6 lbs

(*) Please Specify Tube Size

SCAFFOLD ACCESSORIES

REPLACEMENT PARTS



S Lock Slide



S Lock Stud



S Lock Roll Pin



Q Lock



H Lock



D Lock



X & W Wing
Nut Lock Stud



W Lock
Top Pin



X & W
Wing Nut

LOCKS

'S' LOCK W/ ROLL PIN LOOSE	SST	.2 lbs
'S' LOCK ROLL PIN ONLY	SSR	.1 lbs
'S' LOCK SLIDE	S	.4 lbs
'Q' LOCK COMPLETE	Q	.2 lbs
'H' LOCK COMPLETE	H	.2 lbs
'D' LOCK COMPLETE	D	.3 lbs
'X & W' WING NUT LOCK STUD	WST	.2 lbs
'W' LOCK TOP PIN 3/8" X 9/16"	WTP	.1 lbs
'X & W' WING NUT 1/2"	WN	.1 lbs

MISC.

RIGID PARALLEL CLAMP	CPT	1.5 lbs
HALF CLAMP	CST	1 lbs
LEVER TAIL NUT	LN	1 lbs
THUMB SCREW	TS	0.3 lbs
LEVELING JACK CLAMP	LJC	1 lbs
GOOSER SLIDE	GS	1 lbs



Rigid Parallel Clamp



Half Clamp



Lever Tail Nut



Thumb Screw



Leveling Jack Clamp

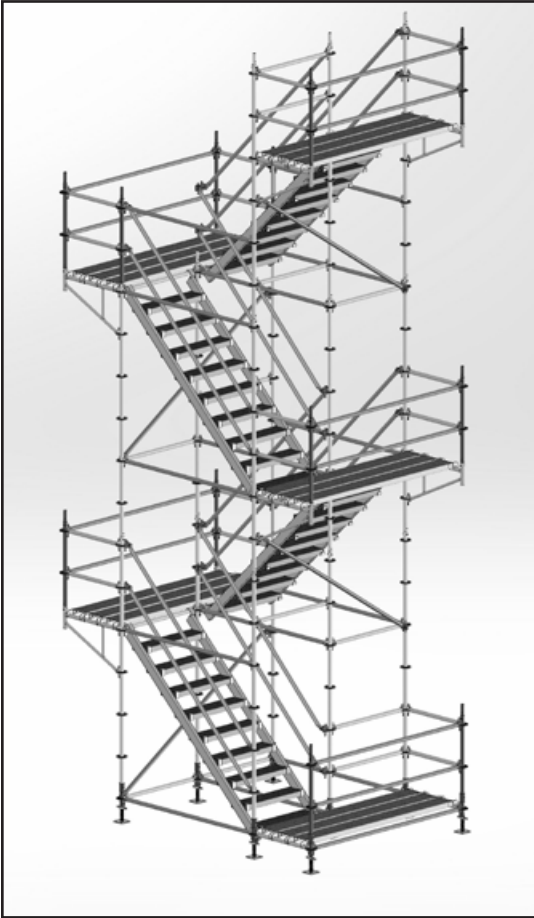


Gooser Slide

ADDITIONAL SCAFFOLD

SYSTEMS AND TUBE & CLAMP

Systems Scaffold



SYSTEMS SCAFFOLD

Systems Scaffold is one of the simplest, most dynamic scaffold products ever developed. Its revolutionary design allows for easy adaptation to virtually any structure, inside and outside.

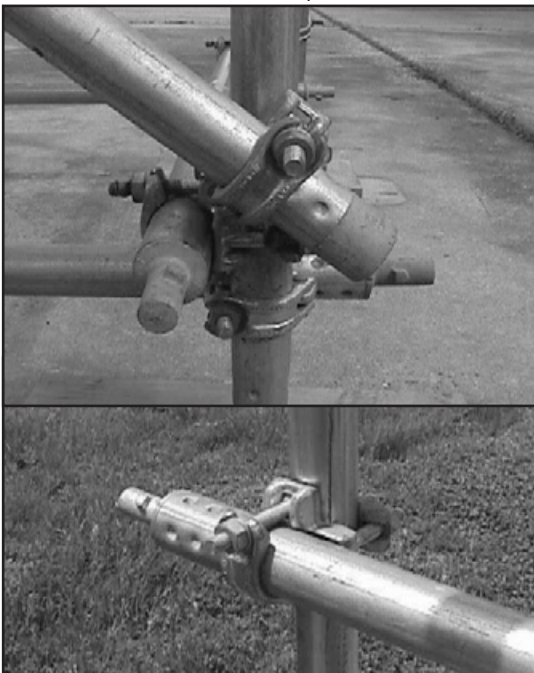
PLEASE CONTACT FACTORY FOR MORE INFORMATION AND PRICING.

TUBE AND CLAMP SCAFFOLD

Tube & Clamp Scaffold is easy to assemble and is adaptable to nearly all types of scaffold projects. Only four basic parts are needed for assembly, and quality steel construction help components maintain durability.

4' TUBE W/ ENDS	TC4	10 lbs
6' TUBE W/ ENDS	TC6	14 lbs
8' TUBE W/ ENDS	TC8	18 lbs
10' TUBE W/ ENDS	TC10	22 lbs
12' TUBE W/ ENDS	TC12	26 lbs
13' TUBE W/ ENDS	TC13	27 lbs
14' TUBE W/ ENDS	TC14	30 lbs
16' TUBE W/ ENDS	TC16	30 lbs
BASE PLATE W/ TUBE LOCK	TC-B	3 lbs
RATCHET WRENCH	TC-R	2 lbs
SWIVEL CLAMP (EYE bolt)	TC-ES	4 lbs
RIGID CLAMP (EYE bolt)	TC-ER	3 lbs
RIGID PARALLEL CLAMP	RPTC	4 lbs
HALF CLAMP (EYE bolt) w/ Stud & Wing Nut	CST	1 lbs

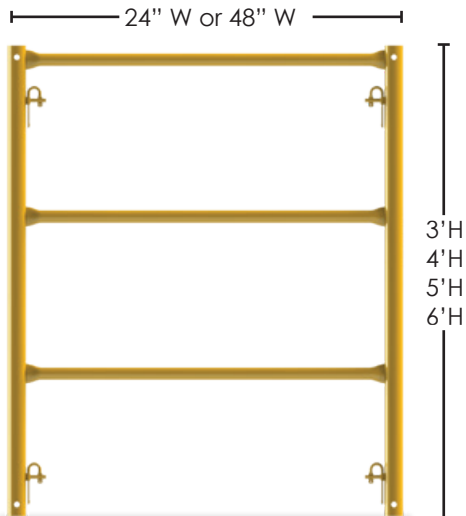
Tube and Clamp Scaffold



PLEASE CONTACT FACTORY FOR MORE INFORMATION AND PRICING.



Shoring Post



Shoring Frame

SHORING POST - ADJUSTABLE GALVANIZED

5'9"-10'3"	SHP-610	38 lbs
6'6"-11'0"	SHP-711	41 lbs
8'8"-13'3"	SHP-913	47 lbs

SHORE HEADS

4" J W/O STEM	SHH-J4	6 lbs
4" J W/4" STEM	SHH-J4IC	6.5 lbs
2-WAY 4" & 8" w/ 2 carriage bolts	SHH-2W	9 lbs

SHORE POST CAPACITIES (SAFETY FACTOR 2.5:1)								
	6'	7'	8'	9'	10'	11'	12'	13'
6'6"-11'		6070	5650	5230	4810	4390		
8'8"-13'3"				5230	4810	4390	3970	3550

SHORING FRAMES - 2 3/8" DIAMETER

24" X 3' WITH D LOCK	F-FL23D	28 lbs
24" X 4' WITH D LOCK	F-FL24D	38 lbs
24" X 5' WITH D LOCK	F-FL25D	45 lbs
24" X 6' WITH D LOCK	F-FL26D	57 lbs
48" X 3' WITH D LOCK	F-FL43D	36 lbs
48" X 4' WITH D LOCK	F-FL44D	48 lbs
48" X 5' WITH D LOCK	F-FL45D	60 lbs
48" X 6' WITH D LOCK	F-FL46D	72 lbs

TRASH CHUTES

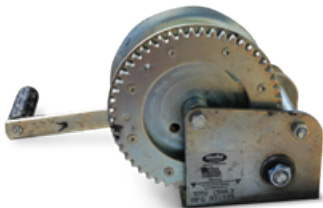
TRASH AND DEBRIS REMOVAL



Hopper



Chute Section With Chains



Shelby Winch



TRASH CHUTES

CHUTE SECTION W/ CHAINS	TRS-CH	38 lbs
HOPPER	TRS-IH	70 lbs
GALVANIZED CHUTE LINER	TRS-CL	34 lbs
SHELBY WINCH HOIST (NO CABLE)	TRS-WH75	14 lbs
SHELBY WINCH/PULLEY STAND	TRS-SPS	28 lbs
LIFTING BAR	TRS-LB	15 lbs
LIFTING CHAINS SET	TRS-LC	4 lbs
CHUTE CHAINS SET (2)	TRS-CC	4 lbs
HOPPER SUPPORT LEG SET	TRS-HSL	10 lbs
SUPPORT FRAME	TRS-SF	75 lbs
OUTRIGGER	TRS-OR	30 lbs
SCREW JACK CLAMP	TRS-SJC	25 lbs
ROOF CONNECTION SLEEVE 6'	TRS-RTCS6	38 lbs
ROOF EXTENSION ARM 6'	TRS-RTEA6	30 lbs
ROOF WEIGHT SUPPORT	TRS-RTWS	42 lbs
ROOF TIE BACK 50'	TRS-RTTB	4 lbs
ROOF 50 LB COUNTER WEIGHT	TRS-RTCW-S	50 lbs
SLAB GUARDRAIL POST	SLBGPTT	20 lbs
SUPPORT TUBE 8'	TC-8NE	15 lbs
SWIVEL CLAMP	TC-ES	4 lbs
SHELBY WINCH CABLE ASSEMBLY 1/4" x 75' WITH HOOK	TRS-WCAJ	15 lbs
NYLON ROPE 200'	TRS-NYR	2 lbs
SUPPORT FRAME PKG	PKG A	84 lbs
WINDOW OUTRIGGER PKG	PKG B1	110 lbs
ROOFTOP OUTRIGGER PKG	PKG B2	288 lbs
SCAFFOLD OUTRIGGER PKG	PKG B3	96 lbs
WINCH ASSEMBLY PKG	PKG C1S	139 lbs

DRYWALL EQUIPMENT

CARTS AND DRYWALL LIFTS



Drywall cart - Basic



#3 Drywall cart



#4 Drywall cart



Lo-Rider Drywall Cart

DRYWALL CARTS

3000 lb capacity on all Drywall Carts. Includes Three swivel and one locking swivel non marking casters with plastic hubs.

DRYWALL CART - BASIC	75126-01	75 lbs
#3 DRYWALL CART	75121-01	86 lbs
#4 DRYWALL CART	75124-01	86 lbs

LO-RIDER DRYWALL CART

Our Lo-Rider drywall cart (DWC-LR) has a drop deck with a lower center of gravity for more stability. It comes standard with 4 removable handles and converts to a platform cart. Patent #D530,876

Bed Dimensions: 38"x 12"
Overall dimensions: 42" x 33"

3000 lb capacity on all Drywall Carts. Includes Three swivel and one locking swivel non marking casters with plastic hubs.

LO-RIDER DRYWALL CART	75122-01	84 lbs
-----------------------	----------	--------

DRYWALL LIFT

DRYWALL LIFT	DWL-0	95 lbs
DRYWALL EXTENSION	DWL-EX-0	20 lbs

Expands from 5' - 11'. Lifts up to 15' with optional extension. Adjustable rack holds up to 12' long wallboard.



Drywall Lift

UTILITY SCAFFOLD

SNAPPY



6' Snappy Single Unit



6' Snappy Double Unit
with Guardrail and Outriggers

6' SNAPPY UTILITY SCAFFOLD

SINGLE UNIT	SP-6	145 lbs
SINGLE UNIT WITH EXPANDED METAL DECK	SP-6X	155 lbs
SINGLE UNIT WITH GUARDRAIL	SP-6G	235 lbs
DOUBLE UNIT WITH GUARDRAIL AND OUTRIGGERS	SP-6D	386 lbs
TRIPLE UNIT WITH GUARDRAIL AND OUTRIGGERS	SP-6TR	523 lbs

ADD ON UNITS (2 LADDERS, 2 BRACES)

39" ADD ON	SP-6AD3	75 lbs
65" ADD ON	SP-6AD6	92 lbs

LADDER FRAMES

39" LADDER FRAME	SP-L39	15 lbs
65" LADDER FRAME	SP-L65	25 lbs

GUARDRAIL

6' GUARDRAIL SET	SP-GRS6	90 lbs
------------------	---------	--------

OUTRIGGERS

NARROW PKG (4)	SP-NORP	25 lbs
WIDE PKG (4)	SP-WORP	60 lbs
WIDE BASE (EA)	SP-WB	30 lbs
5" CASTER	SP-C5	5 lbs
ADJUSTABLE LEG WITH RUBBER PAD	SP-ADJLEG	3 lbs

PLATFORMS

6' PLYWOOD	SP-P6	27 lbs
6' EXPANDED METAL	SP-X6	30 lbs
6' HINGED PLYWOOD	SP-PH6	40 lbs
6' PLATFORM ARM BRACE	SP-B6	22 lbs

8' AND 10' SNAPPY UNITS AVAILABLE.

UTILITY SCAFFOLD

INDY U.S. SCAFFOLD



6' Indy Single Unit



6' Indy Double Unit
with Guardrail and Outriggers

6' INDY US UTILITY SCAFFOLD

HALF HEIGHT UNIT 46"H	INDY-406	129 lbs
SINGLE UNIT 6'3"H	INDY-606	149 lbs

ADD ON UNITS (2 LADDERS, 2 BRACES)

40" ADD ON	INDY-406AD	75 lbs
69" ADD ON	INDY-606AD	96 lbs

LADDER FRAMES

40" LADDER FRAME	INDY-L40	16 lbs
69" LADDER FRAME	INDY-L69	26 lbs

GUARDRAIL

6' W/ TOEBOARD	INDY-GRT6	72 lbs
6' W/O TOEBOARD	INDY-GRO6	64 lbs
6' SIDE PANEL	INDY-GRS6	17 lbs
END PANEL	INDY-GRE	15 lbs
6' TOEBOARD W/ CLIPS	INDY-TB6	8 lbs
TOEBOARD CLIP	INDY-TBC	1 lb

OUTRIGGERS

OUTRIGGER SET (4) PKG	INDY-ORP	27 lbs
ADJUSTABLE LEG	INDY-ADLG	3 lbs
OUTRIGGER (EA)	INDY-OR	6.5 lbs

PLATFORMS

6' PLATFORM	INDY-WB6	29 lbs
-------------	----------	--------

ADDITIONAL PARTS

6' ARM BRACE	INDY-B6	22 lbs
5" CASTER REAR LOCK	INDY-C5-1	4 lbs
FRAME LOCK REPLACEMENT KIT	INDY-FLK	1 lb

8' AND 10' INDY UNITS AVAILABLE.

UTILITY SCAFFOLD

POWER SNAPPY - MOTORIZED WORK PLATFORM



MODEL L



Improve Productivity - Manpower is enhanced over stepladders and standard scaffold in many cases by reducing the time wasted by moving devices and climbing up and down.

Easy Transport - The Power Snappy can be broken down and transported in the back of a pickup truck, and can easily be moved by two people.

It Fits - Move from floor to floor on multi-story buildings via elevator, and drive it right on through doorways. Something not possible to do with a scissor lift.

Powerful Electric Motors - The Power Snappy is driven by two electric 24v hub motors, making it environmentally friendly. There's no emissions and virtually no noise.

Integrated Brake System - The brake system is an auto-locking. This means that when the throttle is off, the Snappy automatically has the brakes applied.

MODEL L

- Adjustable Heights from: 72" - 108"
- Height is adjustable every 2"
- Capacity: 500 lbs
- Dimensions with Outriggers: 57" W x 80" L
- Dimensions w/o Outriggers: 31" W x 60" L
- Extensions and Outriggers can be removed
- Enclosed gear box
- Powder coated frame
- Heavy duty 8" drive wheels
- 5" Swivel Casters
- Rechargeable Battery Pack

MODEL L	SP-PWRL	475 lbs
---------	---------	---------

POWER SNAPPY ADD-ON UNIT

Converts Model M to Model L

CONVERSION KIT	SP-PWMLK	175 lbs
----------------	----------	---------



Rear Locking Brake



Removable Key



Joystick Controller



Alignment Pins

Easy Charging - Easily charge the Snappy via a standard 110v wall outlet

24v System - the Power Snappy runs off of 2 12v batteries in series. The battery pack is 35 amp/hr.

Loaded with Safety features - Integrated lock-out switch, auto locking brake system, soft start and stop and complete guard rails are standard on all models. G-pin and snap pin technology secures the arm braces on the power snappy.

UTILITY SCAFFOLD

POWER SNAPPY - MOTORIZED WORK PLATFORM

MODEL M

- Adjustable heights from: 24" - 60"
- Height is adjustable every 2"
- Overall dimensions: 31" W x 60" L
- Capacity: 500 lbs
- Enclosed gear box
- Powder coated frame
- Heavy duty 8" wheels drive wheels
- 5" Swivel casters
- Rechargeable Battery Pack

MODEL M SP-PWRM 300 lbs



MODEL M



The Power Snappy takes up no more room than a standard 10' ladder, and offers more safety plus mobility to complete the job faster and more efficiently.



Model M Shown at 3 different heights. The platforms are fully adjustable from 2 ft to up to a 5 ft.

ADDITIONAL SCAFFOLD

INTERNATIONAL AND LIGHT DUTY



6' Utility Scaffold

6' UTILITY SCAFFOLD

6' UTILITY SCAFFOLD	MP-606	145 lbs
OUTRIGGER SET	MP-OR	25 lbs
GUARD RAIL SET	MP-GR	90 lbs

ROLL STOP SCAFFOLD BRAKE SYSTEM

Fits Snappy, Indy, and MP-606 Scaffolding.

Meets or Exceeds OSHA Standards.

Section 1926.452-(w) Mobile Scaffolds-(2-3)

(2) Scaffold casters and wheels shall be locked with positive wheel and/or wheel and swivel locks, or equivalent means, to prevent movement of the scaffold while the scaffold is used in a stationary manner.

(3) Manual force used to move the scaffold shall be applied as close to the base as practical, but not more than 5 feet (1.5m) above the supporting surface.

Also see Section 1926.451-(f) Use-(5)

- OSHA Construction Industry Regulations



Roll Stop Scaffold Brake

ROLL STOP BRAKE SYSTEM	TSPG2	25 lbs
------------------------	-------	--------

SNAPPY JR.

SNAPPY JR	SP-4	70 lbs
-----------	------	--------

4' FOLDING SCAFFOLD

4' FOLDING SCAFFOLD	MF-4	65 lbs
---------------------	------	--------



Snappy Jr.



4' Folding Scaffold